

# FAST RESPONSE TEMPERATURE SENSORS WITH A METAL CONNECTION HEAD

101.09en

## DESCRIPTION AND APPLICATION

These resistance-type sensors are intended for contact temperature measurements of liquid or gaseous substances. The structure of the sensor's stem enables the sensor to be used for direct measuring of the temperature in ducts and also ensures quick response of the sensor to changes in temperature. The standard operating temperature range is -30 to 130 °C. The sensors can be utilised for any control systems that are compatible with sensing element output signals or output signals quoted in the table of sensing element types.

The sensors are designed to be operated in a chemically non-aggressive environment.

## DECLARATION, CERTIFICATES, CALIBRATION

Manufacturer provides **EU Declaration of Conformity**.

**Calibration** – The final metrological inspection – comparison with standards or working instruments – is carried out for all the products. Continuity of the standards and working measuring instruments is ensured within the meaning of the Section 5 of Act no.505/1990 on metrology. The manufacturer offers a possibility to supply the sensors calibrated in an Accredited laboratory.



### MAXIMUM FLOW SPEED OF THE MEASURED MEDIUM - AIR AND WATER VAPOUR / WATER [m.s<sup>-1</sup>]

Length of the stem	up to 60 mm	> 60 to 100 mm	> 100 to 160 mm	> 160 to 220 mm
Values for diameter of the stem 4 mm	8 / 0.8	6 / 0.6	3.2 / 0.4	1.0 / 0.25

## SPECIFICATIONS

Sensor type	NK 160	NK 161	NK 162
Type of sensing element	Ni 1000/5000	Ni 1000/6180	Ni 891
Measuring range	-30 to 130 °C (Connection head ambient temperature -30 to 100 °C)		
Maximum measuring DC current	1 mA	1 mA	1 mA

Sensor type	PTK 160	PTK 260	PTK 360	HK 160
Type of sensing element	Pt 100/3850	Pt 500/3850	Pt 1000/3850	thermistor NTC 20 kΩ
Measuring range	-50 to 130 °C (Connection head ambient temperature -30 to 100 °C)			-30 to 130 °C
Maximum measuring DC current	3 mA	1.5 mA	1 mA	10 mW *)

\*) maximum power consumption

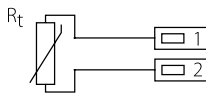
Sensor type	NK 560	Note
Type of sensing element	Pt 1000/3850	
Output signal	4 to 20 mA	
Measuring ranges	-50 to 50 °C -30 to 60 °C 0 to 35 °C 0 to 100 °C 0 to 150 °C	ambient temperature around the connection head -30 to 70 °C
Power supply (U)	11 to 30 V <sub>DC</sub>	recommended value 24 V <sub>DC</sub>
Load resistance	150 Ω for power supply 12 V 700 Ω for power supply 24 V	
Output signal - sensing element break	> 24 mA	
Output signal - sensing element short circuit	< 3.5 mA	

## OTHER PARAMETERS

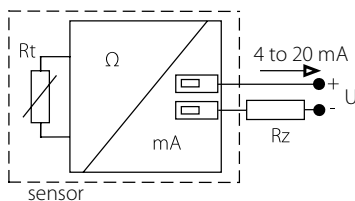
Accuracy class	Ni sensing elements: B class, $t = \pm (0.4 + 0.007t)$ , for $t \geq 0$ ; $t = \pm (0.4 + 0.028 t )$ , for $t \leq 0$ in °C; Pt sensing elements: B class according to EN 60751, $t = \pm (0.3 + 0.005 t )$ in °C NTC 20 kΩ: $\pm 1$ °C for the range 0 to 70 °C
Measuring error for NK 560	< 0.6 % of the measuring range, minimum 0.5 °C
Sensor connection	according to the wiring diagram
Standard length of the stem L1	50, 100, 160, 220 mm
Diameter of the stem	4 ± 0.1 mm
Standard thread	G 1/2"
Nominal pressure of the stem	PN 25
Time response	$\tau_{0.5} < 4$ s (in flowing water at 0.4 m.s <sup>-1</sup> )
Recommended wire cross section	0.35 to 1.5 mm <sup>2</sup>
Insulation resistance	> 200 MΩ at 500 V <sub>DC</sub> , 25° ± 3 °C; humidity < 85 %
Ingress protection	IP 54 in accordance to EN 60529, as amended
Material of the stem	stainless steel DIN 1.4301
Material and type of connection head	aluminium alloy, LIMATHERM MA
Operating conditions	ambient temperature: -30 to 100 °C; -30 to 70 °C with a converter relative humidity: max. 100 % (at the ambient temperature 25 °C) atmospheric pressure: 70 to 107 kPa
Weight approximately	0.2 kg

## WIRING DIAGRAM

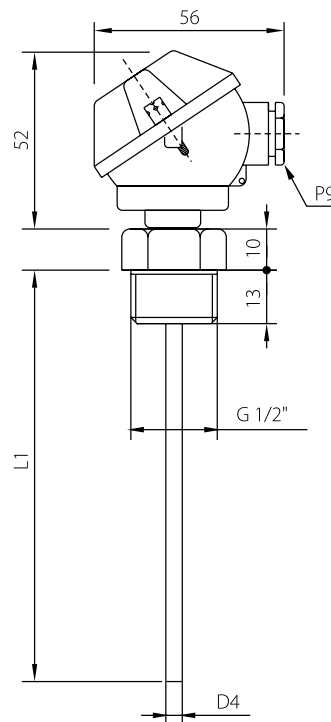
With a resistance output



With a converter 4 to 20 mA



## DIMENSIONAL DRAFT



## MODIFICATION AND CUSTOMIZATION

- accuracy class A (with the exception of sensor termistor NTC 20 kΩ)
- option of three- or four-wire connection
- variable stem design – L1 length, materials, diameters, option of thread design