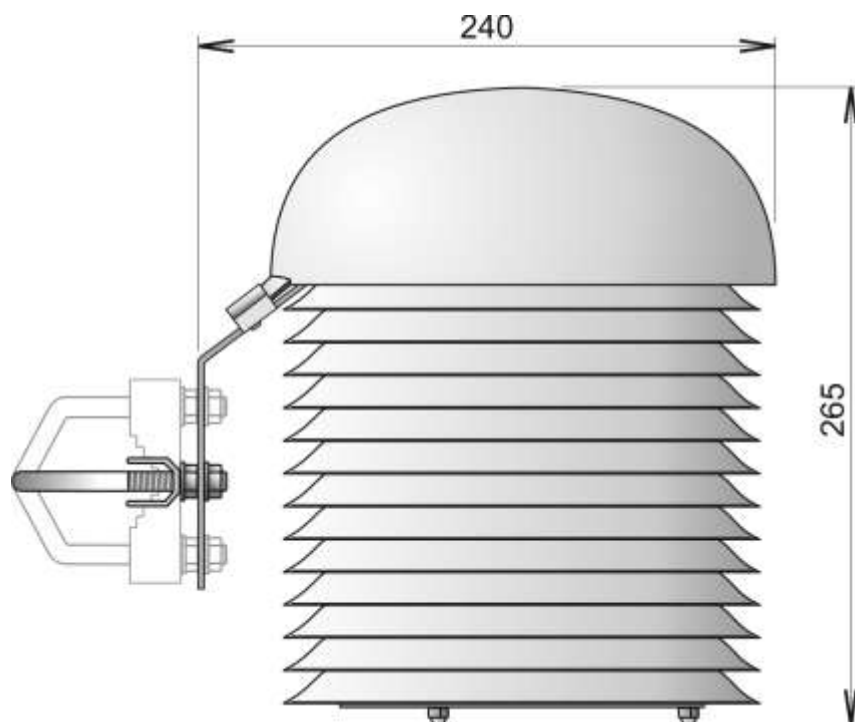


PRODUCT DESCRIPTION

The radiation shield AR005357 is used to protect the air temperature, relative humidity and pressure sensors from thermal radiation and climatic influences. Mounting flange under the top cover allows easy mounting of the devices including the fixing of the cables.

DIMENSIONS

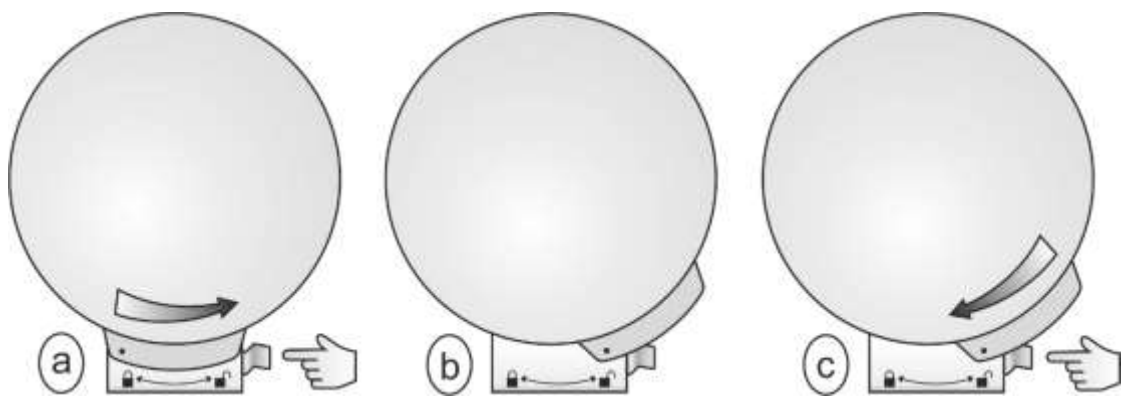


MOUNTING THE RADIATION SHIELD

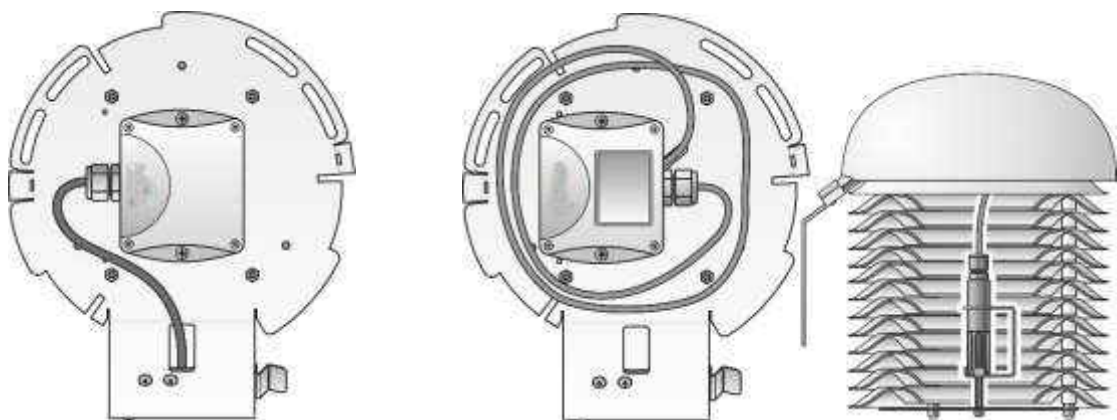
Place the radiation shield to a mast with diameter from 20 mm to 45 mm (i.e. satellite holder). It is recommended to place the radiation shield at least 50 cm from the nearest wall of the building and at least 1.8 meters above the ground. For professional measurements the grassy places are recommended, with no obstacles within a radius of 10 m (lawn should be continuously maintained).

TRANSMITTERS AND MEASURING PROBES INSTALLATION

Press the locking plate (see **fig. a**), then turn the cover of the shield counterclockwise to the position shown in **fig. b** and slide the cover upwards. To install transmitters use the mounting holes in the upper flange of the shield (see pictures below). Fix the device with the M4x8 or M3x10 attached screws. The probe on the cable place in the inner space of the radiation shield by inserting it into the holder. Thread the output and power cables through the hole in the flange (see for example the P0132 transmitter installation) and secure them with the enclosed cable ties. Finally, put the top cover in the position according to **fig. c** and turn it clockwise to end the assembly.

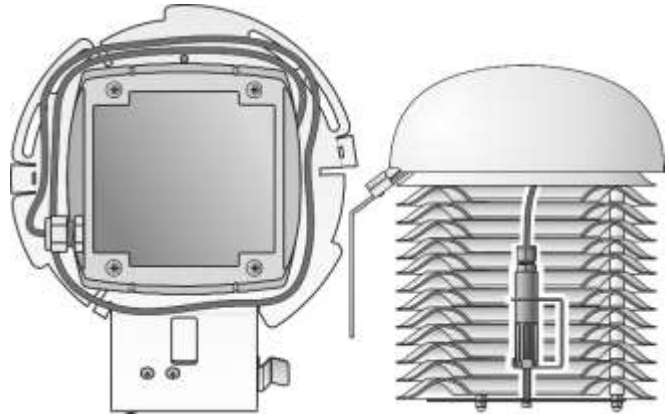
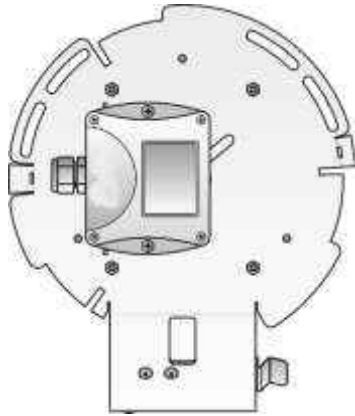


Location of devices, probes and cables



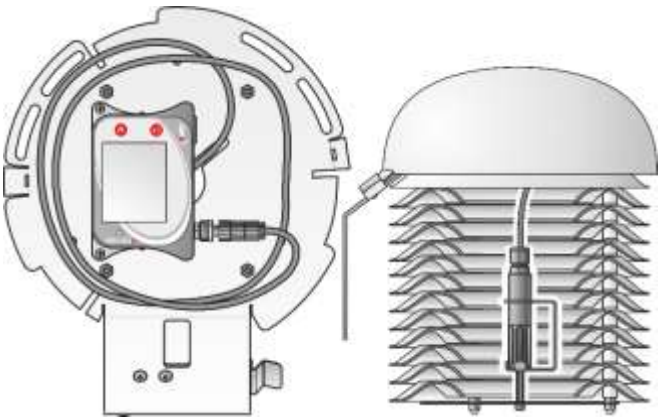
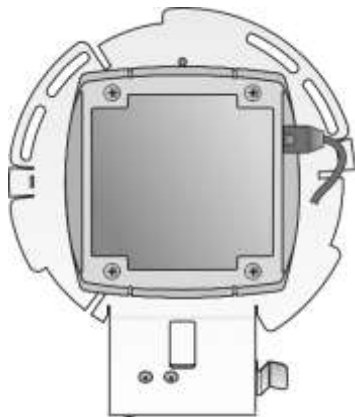
AR006740

Transmitters with cable probes



AR006583, AR004967, T3413D

Regulators with cable probes

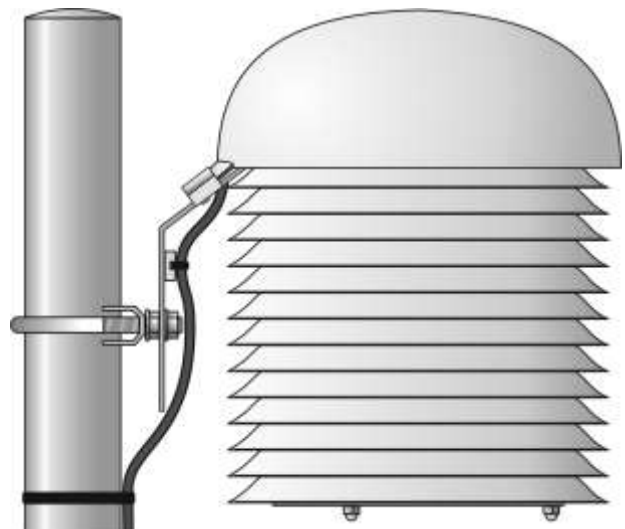


AR006632

Dataloggers Uxxxx with cable probes

MOUNTING THE RADIATION SHIELD TO THE MAST

Fasten the U-bolt clamp to the mast and after that fix the radiation shield using the two enclosed M8 nuts. Secure the output and power cables with the enclosed cable ties (see figure).



TECHNICAL SPECIFICATION

Temperature operating range:	-40 to +80 °C
Relative humidity operating range:	0 to 100 %RH
Storage temperature range:	-40 to +80 °C
Storage relative humidity range:	0 to 100 %RH (no condensation)
Weight:	approximately 1.4 kg
Material:	ASA - UV stabilized, antistatic

CONTENT OF THE PACKAGE:

- the AR005357 shield 1 pc
- the U-bolt clamp 1 pc
- the screw M4x8 4 pcs
- the screw M3x10 2 pcs
- the cable tie 6 pcs
- the nut M8 2 pcs

END OF OPERATION

The radiation shield dispose according to current legislation for dealing with electronic equipment.

TECHNICAL SUPPORT AND SERVICE

Technical support and service is provided by distributor. For contact see warranty certificate. If needed, you can also use the discussion forum at <http://www.guilcor.com/>.

WARNING

Installation, commissioning and maintenance may only be carried out by personnel with qualification by applicable regulations and standards.

© Copyright:

It is prohibited to copy and make any changes in this manual, without explicit agreement of company Guilcor, All rights reserved.